

GROUP 3P – P3000 SERIES

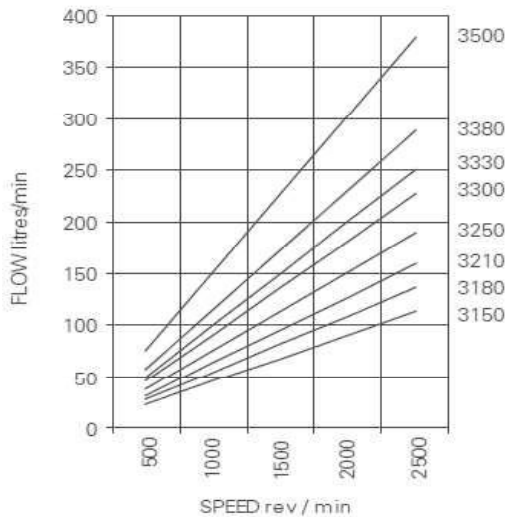
PERFORMANCE DATA

Pressures quoted are relief valve maximum by-pass
Performance with SAE 20W oil at 50°C

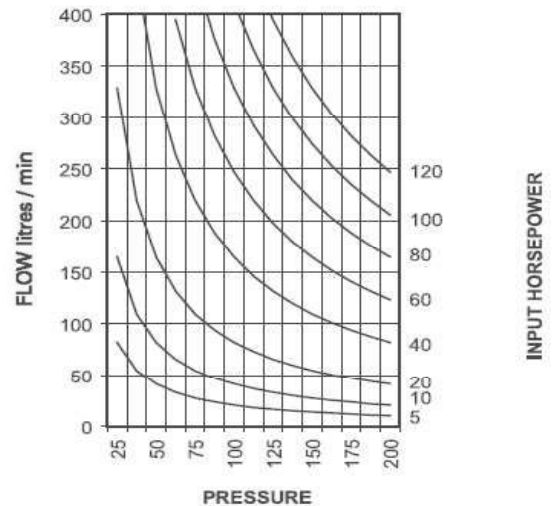
PUMP TYPE	DISPLACEMENT cc/rev	DELIVERY @1500 RPM & PRESSURE P		MAXIMUM CONTINUOUS PRESSURE P		SPEED AT MAXIMUM CONTINUOUS PRESSURE P	
		MIN (lpm)	MAX (lpm)	psi	bar	MAX	MIN
3150	47.07	65.3	70.6	3000	207	2500	700
3180	56.17	78.2	84.2	3000	207	2500	700
3210	65.23	91.7	97.8	3000	207	2500	700
3250	77.15	109.0	115.7	3000	207	2500	700
3300	92.03	130.6	138.0	2525	174	2500	700
3330	101.71	144	152.6	2300	159	2500	700
3380	116.78	166.1	175.2	2000	138	2500	700
3500	153.66	217.9	230.5	1500	100	2500	700

TYPICAL PERFORMANCE

TYPICAL PUMP DELIVERY
Flow at Max. Pressure

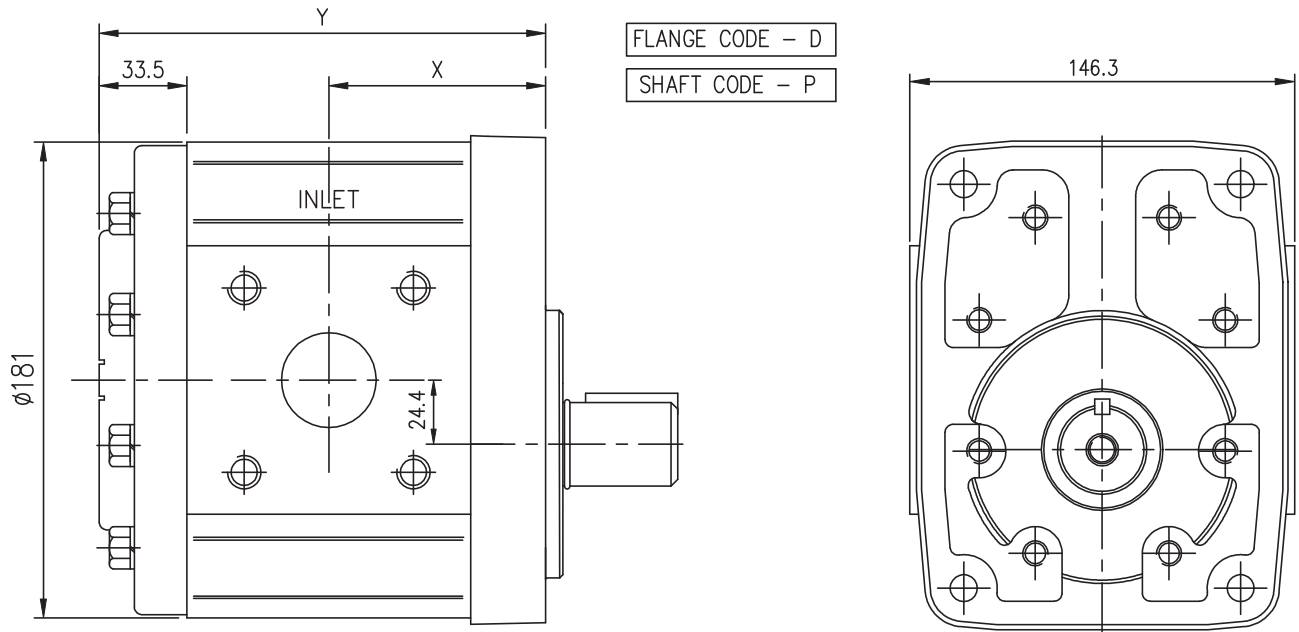


TYPICAL INPUT HORSEPOWER
Fluid SAE 20W
Fluid Temperature 50°C



3P - PUMP SERIES

INSTALLATION DIMENSIONS



PUMP TYPE	DIMENSIONS	
	X	Y
3P 3150	70.0	145.1
3P 3180	72.4	150.1
3P 3210	74.9	154.8
3P 3250	78.0	161.2
3P 3300	82.0	169.1
3P 3330	84.6	174.2
3P 3380	88.6	182.3
3P 3500	98.9	202.8

NOTE:

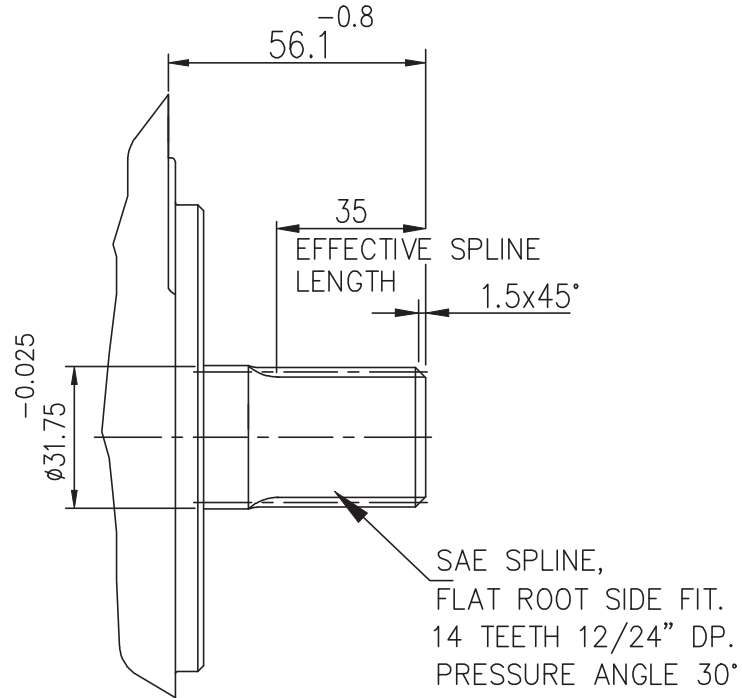
- The representation for the pump assembly drawing is for anti-clockwise direction of shaft rotation as viewed from pump drive shaft end. For clockwise rotation of pump shaft, the position of inlet & outlet ports will interchange.
- Unless otherwise specified, the dimension 'X' is identical for both inlet & outlet port positions

ALL DIMENSIONS ARE IN mm UNLESS OTHERWISE SPECIFIED

3P - PUMP SERIES

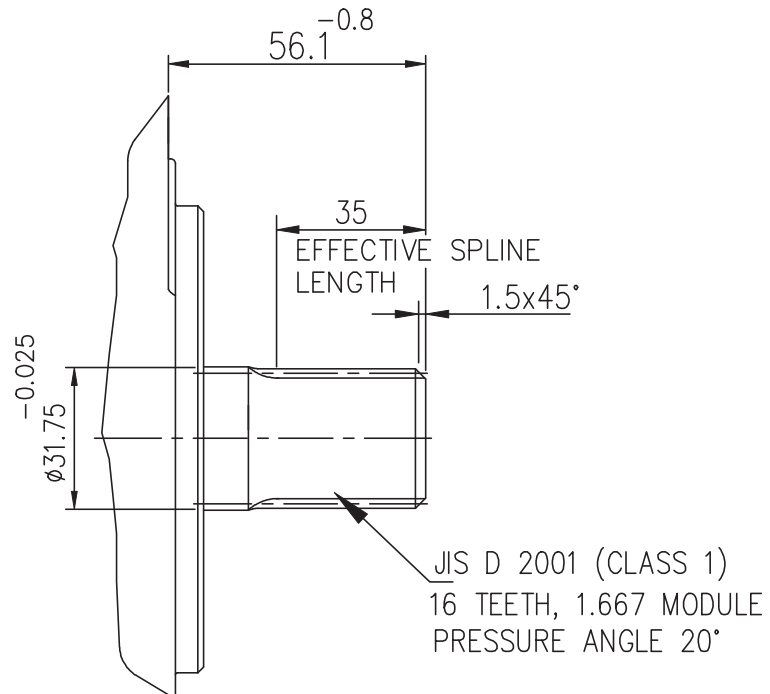
DRIVE SHAFT CODE - S

FLANGE CODE: D & S



DRIVE SHAFT CODE - J

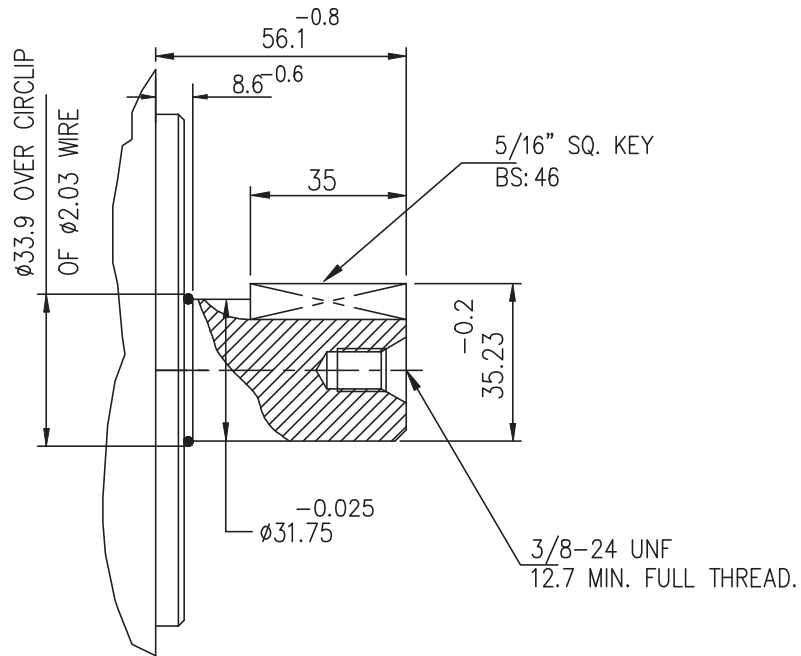
FLANGE CODE: D & S



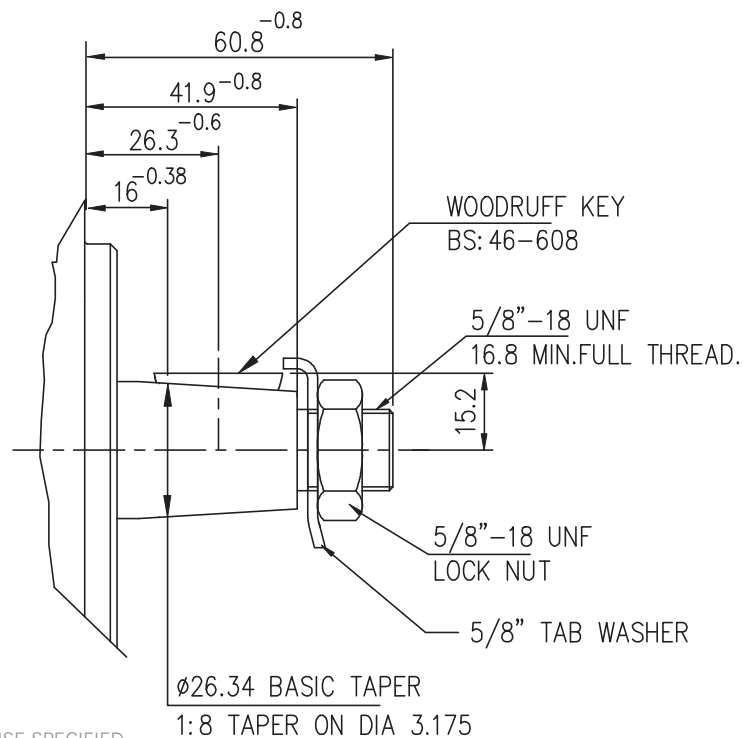
ALL DIMENSIONS ARE IN mm UNLESS OTHERWISE SPECIFIED

3P - PUMP SERIES

DRIVE SHAFT CODE - P FLANGE CODE: D & S



DRIVE SHAFT CODE - T FLANGE CODE: D & S

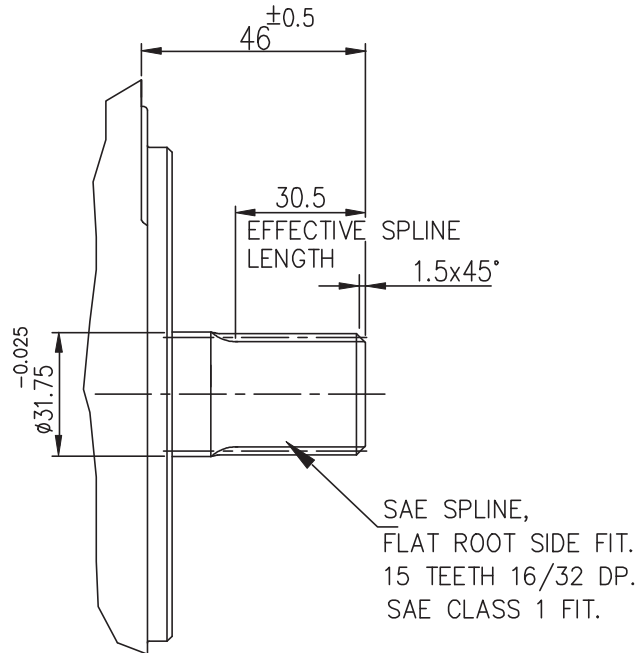


ALL DIMENSIONS ARE IN mm UNLESS OTHERWISE SPECIFIED

3P - PUMP SERIES

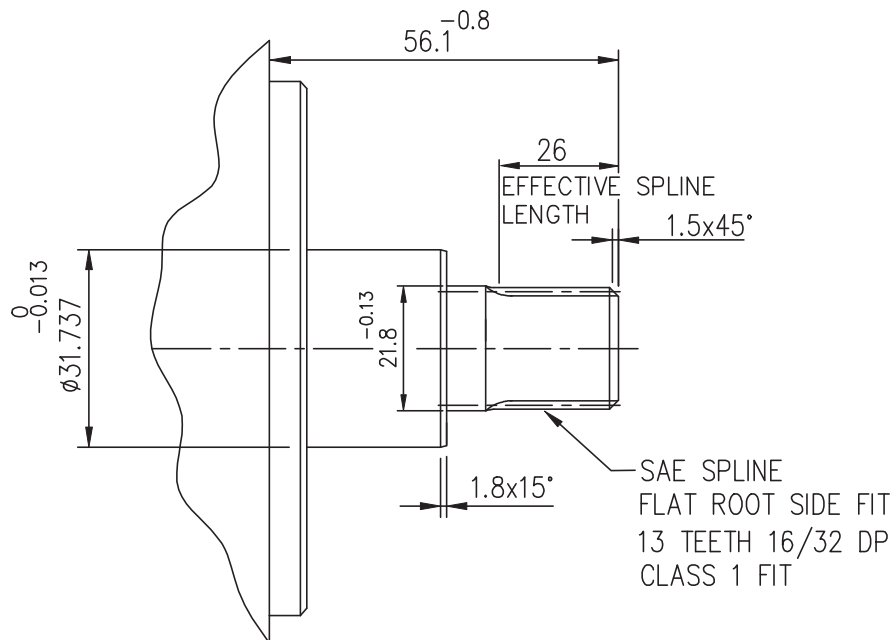
DRIVE SHAFT CODE - B

FLANGE CODE: B, C & E



DRIVE SHAFT CODE - C

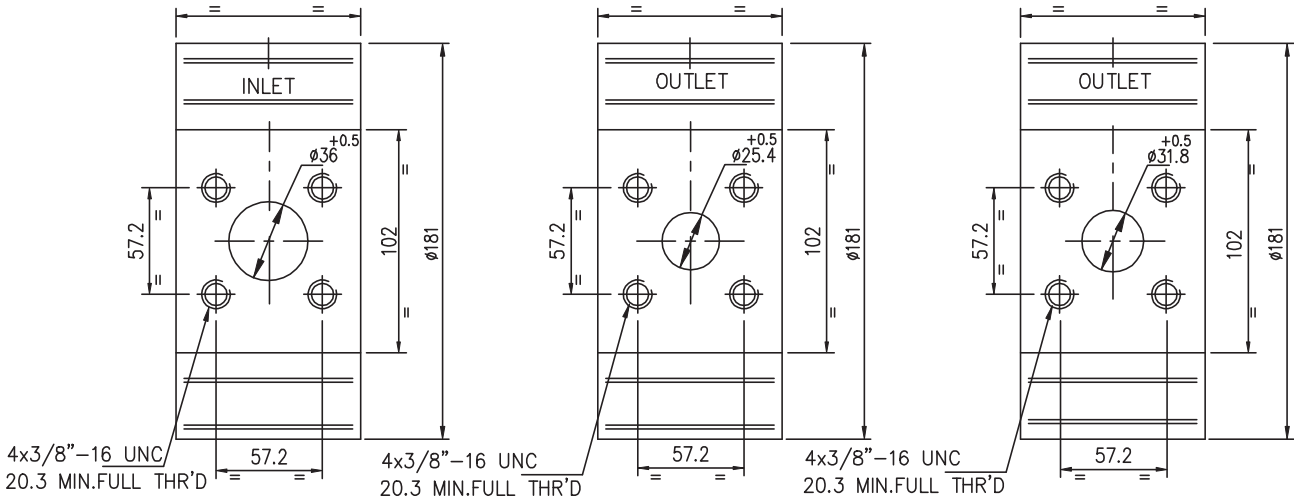
FLANGE CODE: D & S



ALL DIMENSIONS ARE IN mm UNLESS OTHERWISE SPECIFIED

3P - PUMP SERIES

BODY PORTS CODE - F



INLET PORT

PUMP TYPE
3P 3150
3P 3180
3P 3210
3P 3250
3P 3300
3P 3330
3P 3380

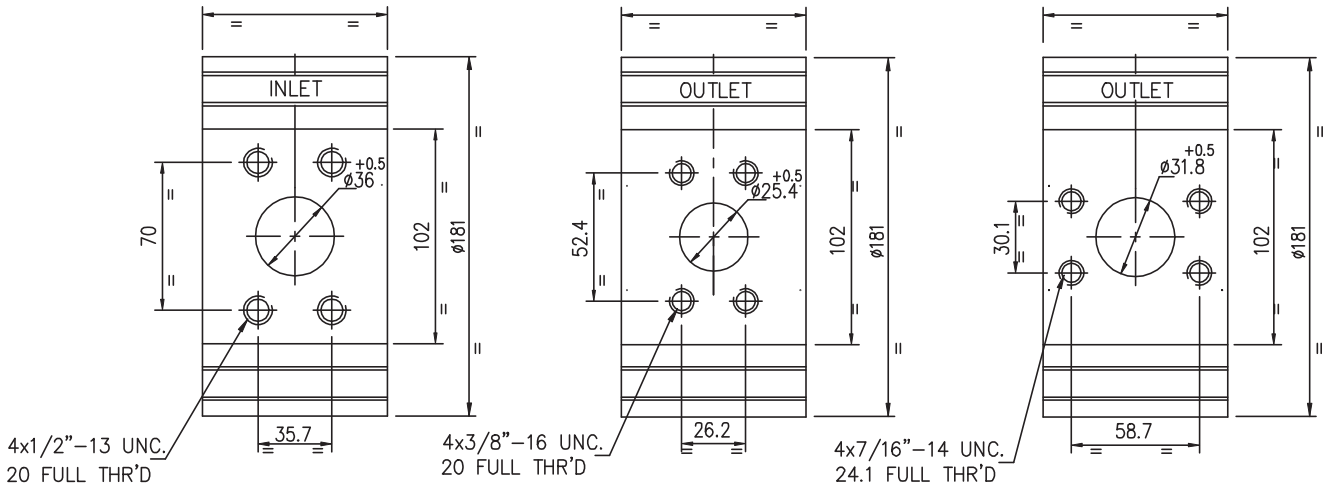
OUTLET PORT

PUMP TYPE
3P 3150
3P 3180
3P 3210
3P 3250
3P 3300

OUTLET PORT

PUMP TYPE
3P 3330
3P 3380

BODY PORTS CODE - S



INLET PORT

PUMP TYPE
3P 3150
3P 3180
3P 3210
3P 3250
3P 3300
3P 3330
3P 3380

OUTLET PORT

PUMP TYPE
3P 3150
3P 3180
3P 3210
3P 3250
3P 3300

OUTLET PORT

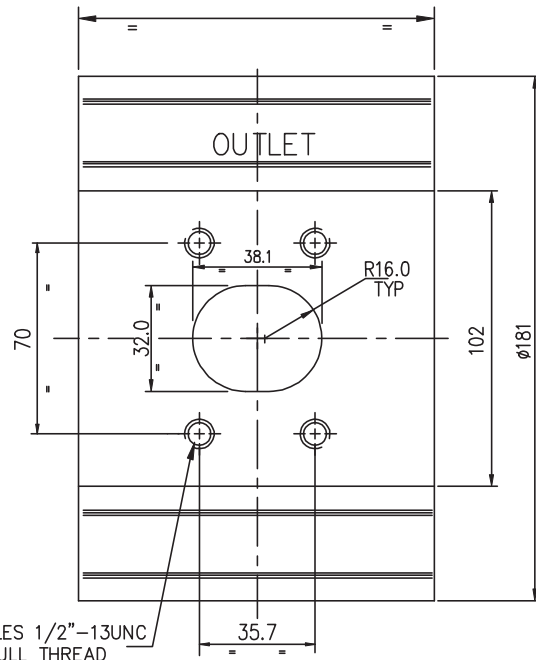
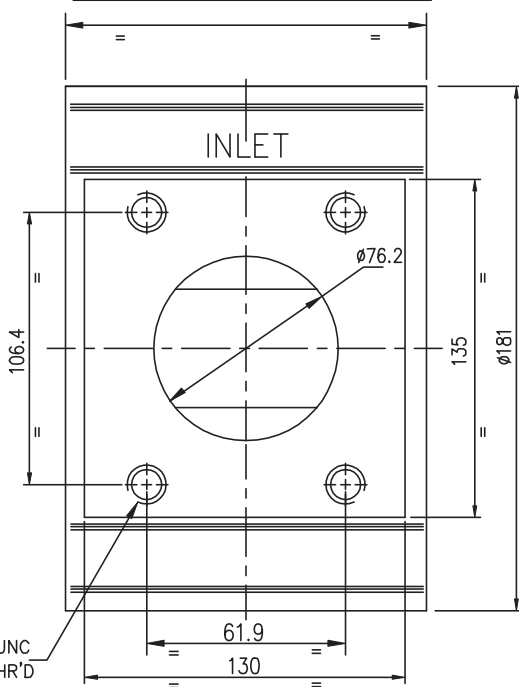
PUMP TYPE
3P 3330
3P 3380

ALL DIMENSIONS ARE IN mm UNLESS OTHERWISE SPECIFIED

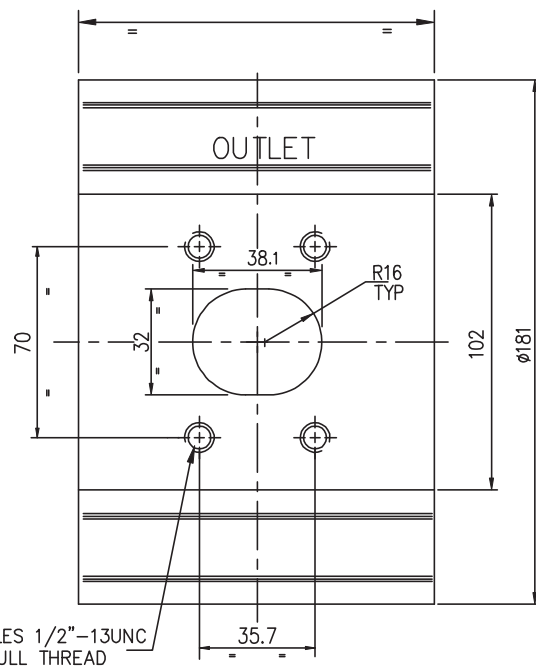
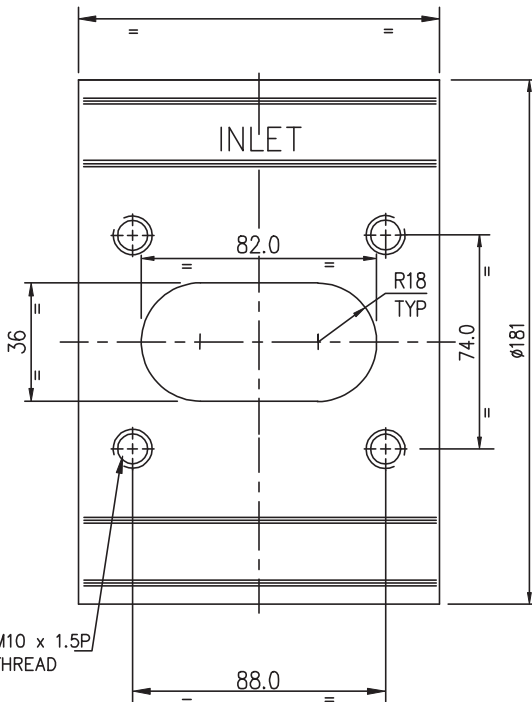
3P - PUMP SERIES

BODY PORTS CODE - S PUMP TYPE - 3P 3500

WITH SUCTION ADAPTOR



WITH OUT SUCTION ADAPTOR



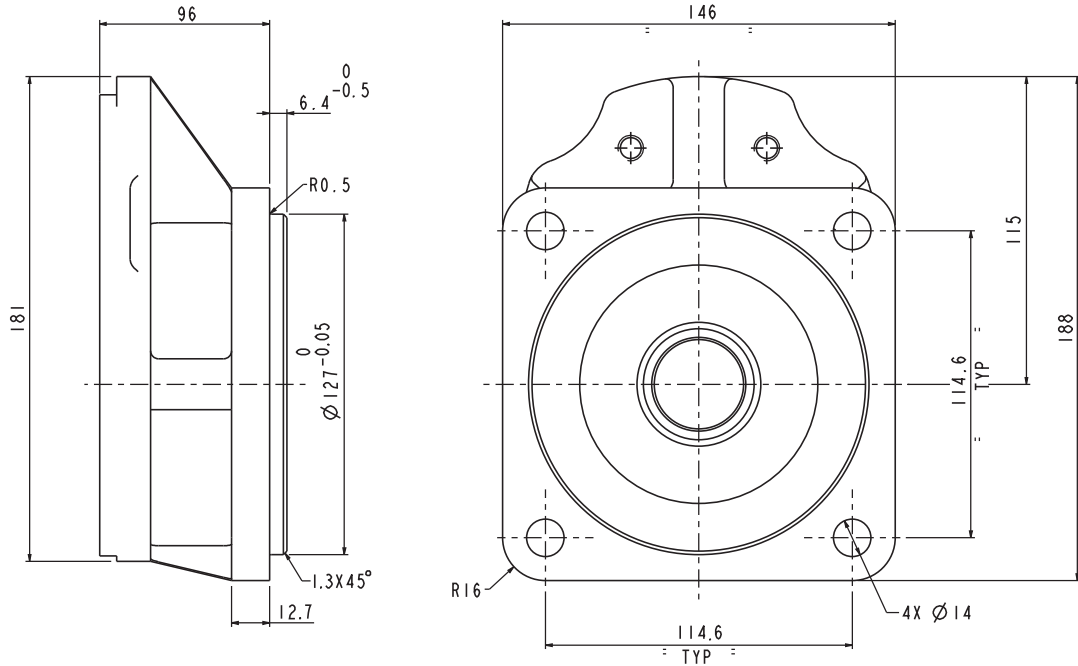
ALL DIMENSIONS ARE IN mm UNLESS OTHERWISE SPECIFIED

3P - PUMP SERIES

MOUNTING FLANGE 4 - BOLT SAE CODE- 3

(With Bearing Support)

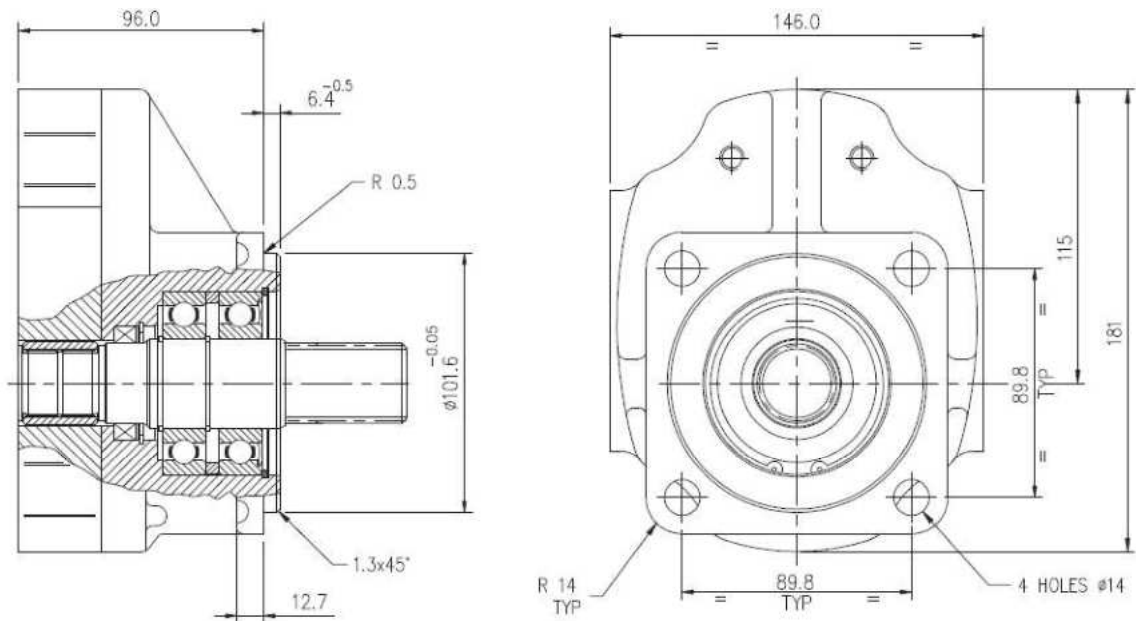
Available with shaft code P and S only



MOUNTING FLANGE 4-BOLT SAE CODE-2

(With Bearing Support)

Available with shaft code P and S

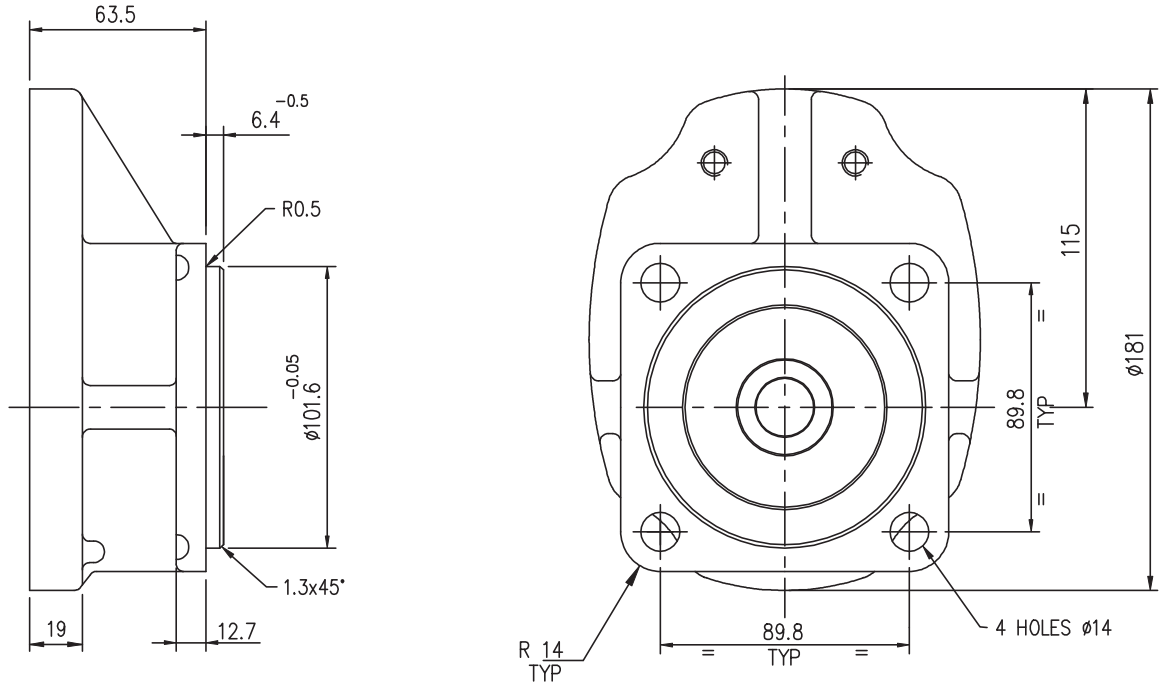


ALL DIMENSIONS ARE IN mm UNLESS OTHERWISE SPECIFIED

3P - PUMP SERIES

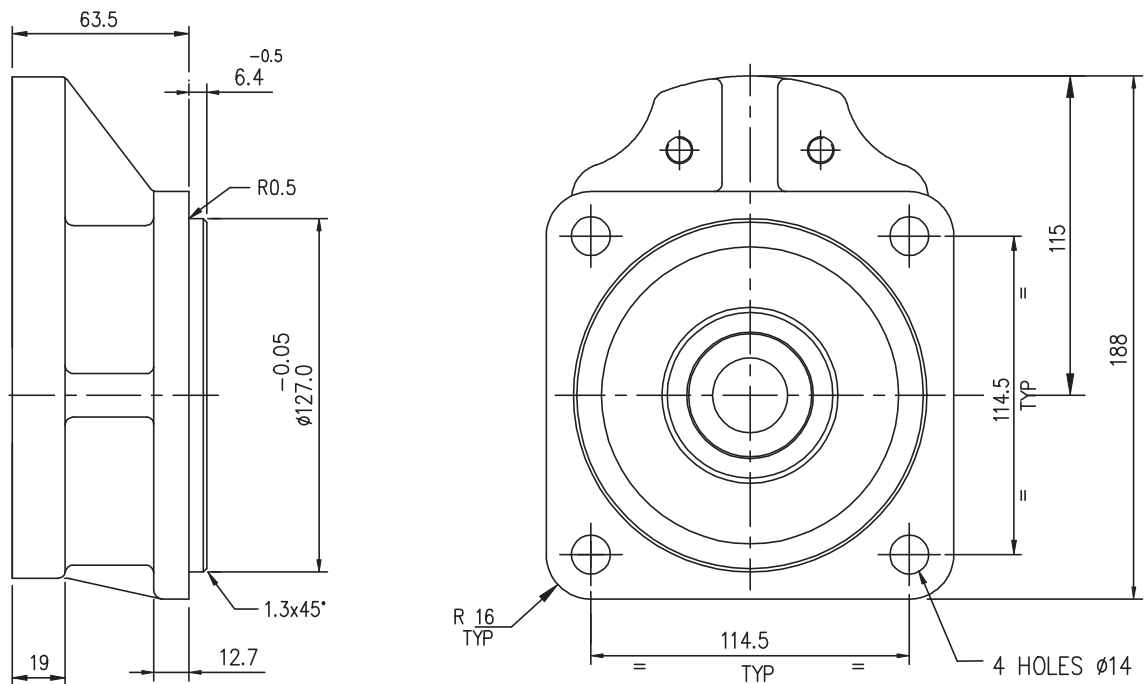
MOUNTING FLANGE 4-BOLT SAE CODE-B

Available with shaft code P and S



MOUNTING FLANGE 4-BOLT SAE CODE-C

Available with shaft code P and S

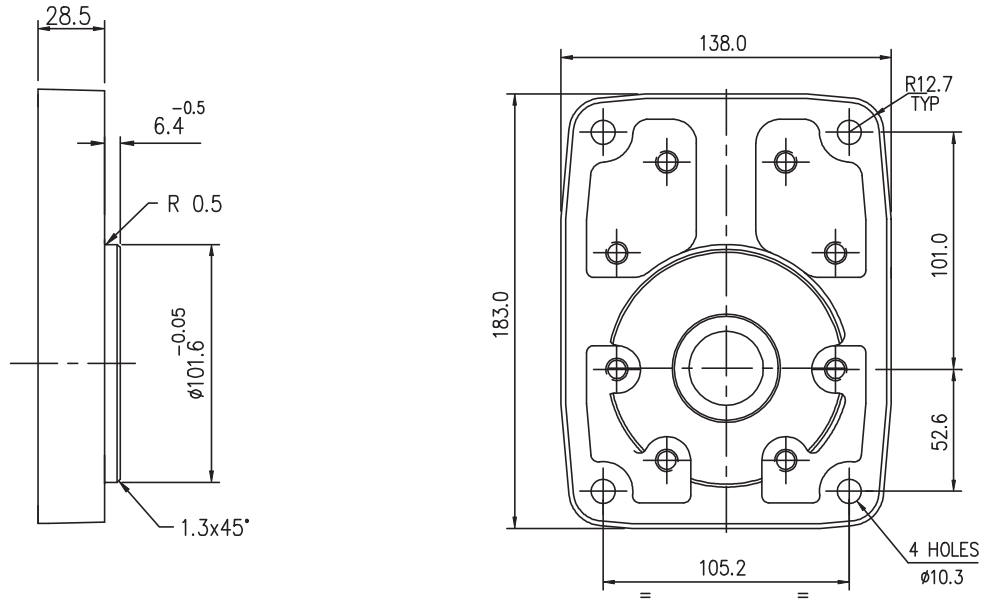


ALL DIMENSIONS ARE IN mm UNLESS OTHERWISE SPECIFIED

3P - PUMP SERIES

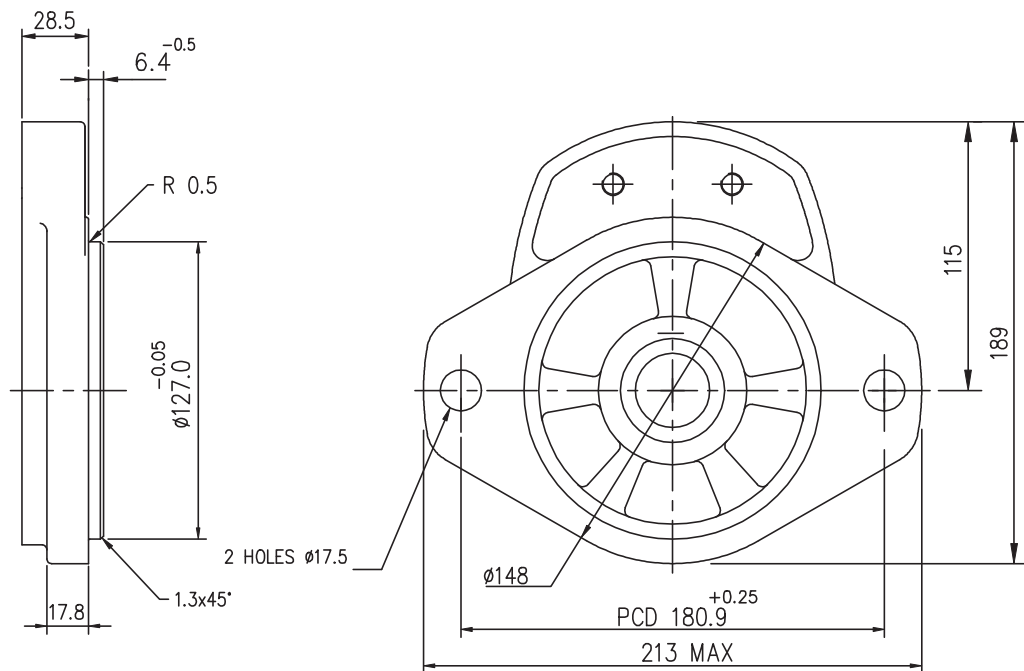
MOUNTING FLANGE CODE - D

4 - BOLT MOUNTING



MOUNTING FLANGE CODE - S

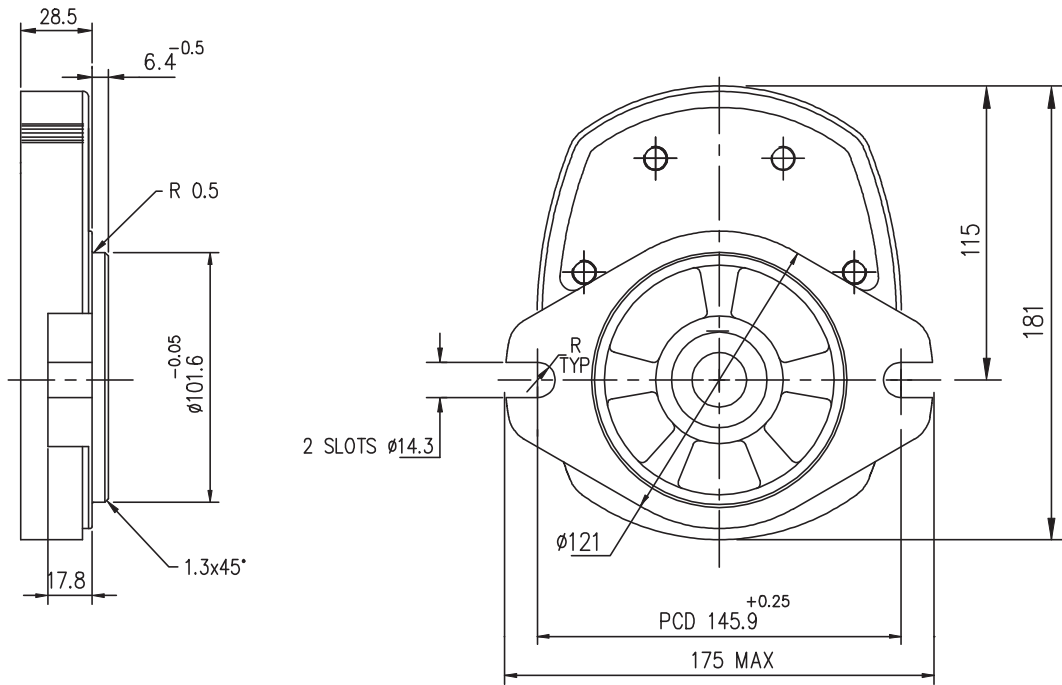
SAE -C, 2-BOLT MOUNTING



ALL DIMENSIONS ARE IN mm UNLESS OTHERWISE SPECIFIED

3P - PUMP SERIES

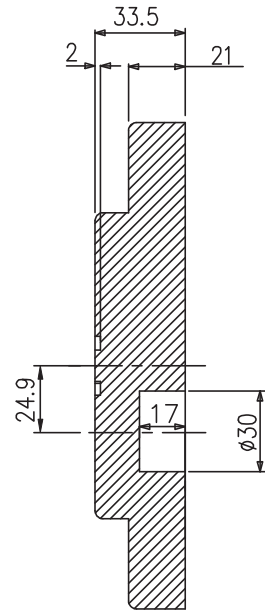
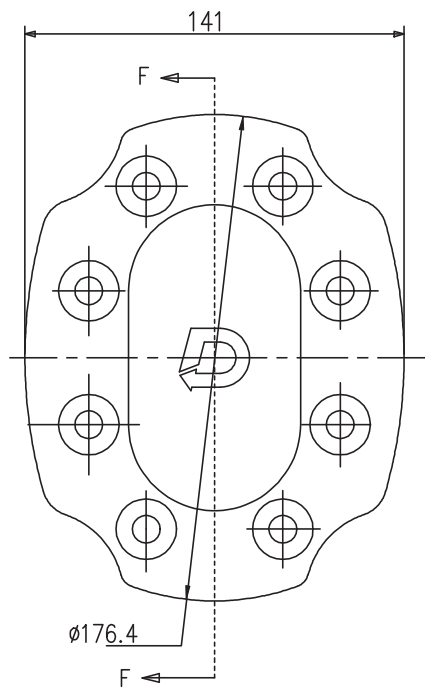
MOUNTING FLANGE CODE - E SAE-A, 2-BOLT MOUNTING



ALL DIMENSIONS ARE IN mm UNLESS OTHERWISE SPECIFIED

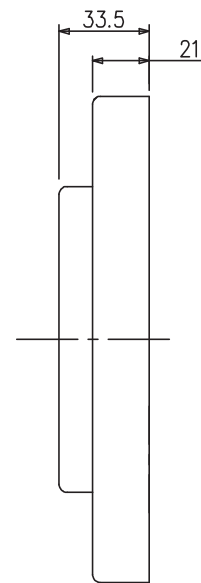
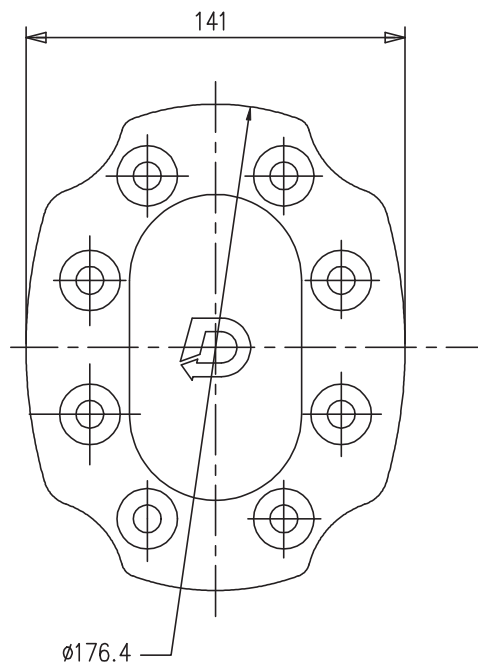
3P - PUMP SERIES

MOUNTING COVER CODE - A



SECTION - FF

MOUNTING COVER CODE - B



ALL DIMENSIONS ARE IN mm UNLESS OTHERWISE SPECIFIED