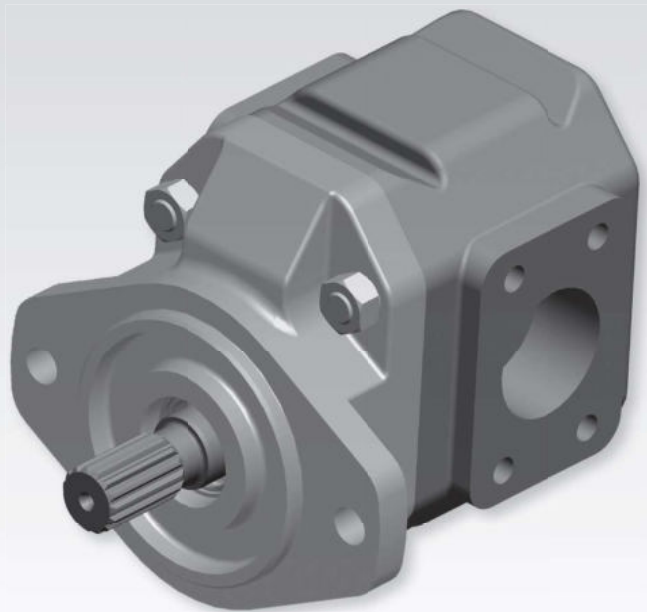


# CAST IRON PUMP



# HIGH PRESSURE

## XT Pump Series

### CAST IRON GEAR PUMP

Dynamatic Technologies Limited, the largest producer of hydraulic gear pumps in Asia and one of the top five world-wide, introduces the XT Series of Pumps. The XT Series of Pumps has been developed to meet the demanding work environments of earth-moving applications.

**The Salient features of the XT Series of Pumps are detailed below.**

**Pump Sizes:** The XT Series of Pumps are available in sizes ranging from 30 to 100 cc per rev.

**High Grade Cast Iron:** to meet the high performance requirements of your application, high grade cast iron is used as pump body, flange and cover material. Self-lubricating, PTFE lined bushes are used, to ensure:

- Low coefficient of friction
- Good sliding characteristics
- Suitability for dry running
- High chemical resistance
- Long life and minimal maintenance

**High Pressure:** The XT Series of Pumps have capabilities to withstand maximum operating pressures of 225 Bar, to meet your exacting requirements.

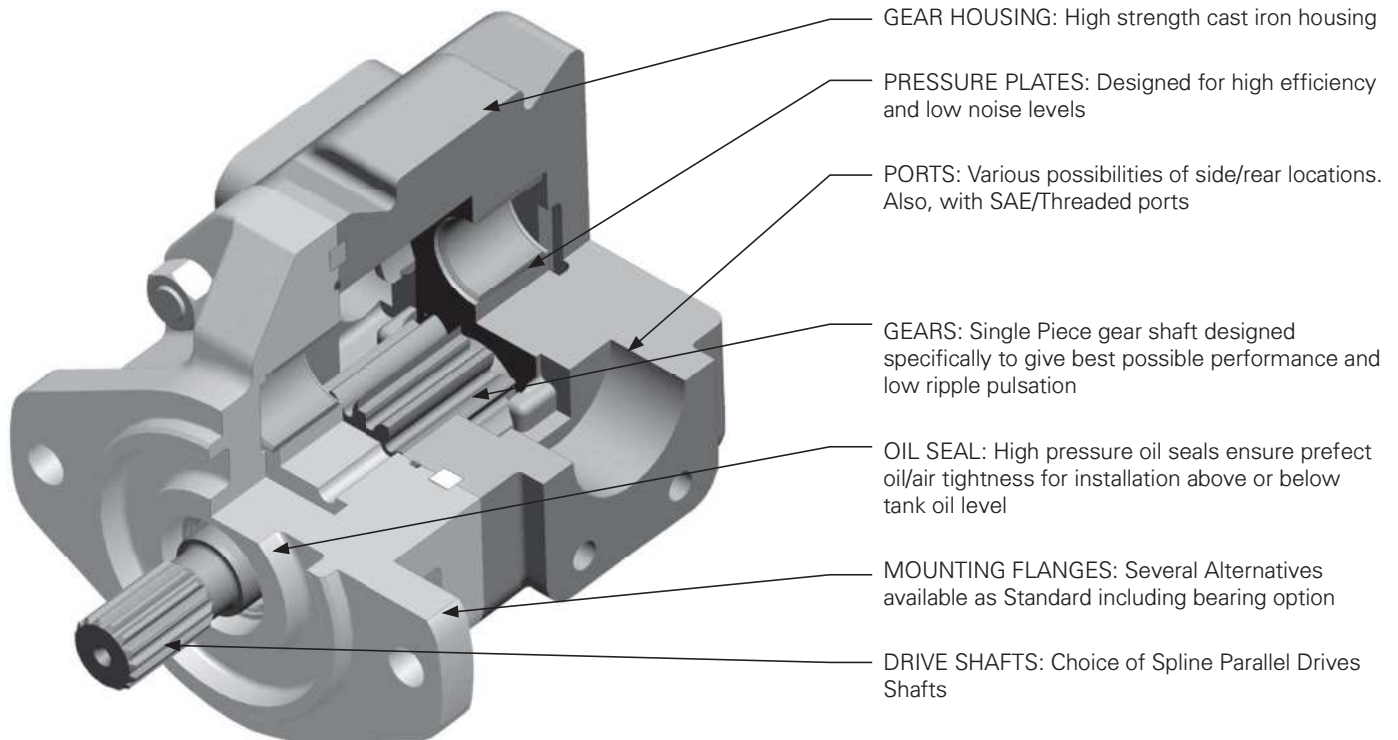


**Quality:** The use of statistical process control techniques during all phases of manufacturing ensures the use of high quality components. All pumps in the XT Series are performance tested to achieve total quality.

**Options:** The options in the XT Series include two different shaft types viz. parallel and Spline and various types of mounting flanges, which provide optimum flexibility in connecting to power source of your equipment. Also, the pump can be built of either 2 OR 3 sections depending upon the space availability, port configuration, etc.

# XT - PUMP SERIES

## PUMP CONSTRUCTION



Construction	External Gear Type Pump
Mounting	SAE Flange
Port Connections	Threaded and Flange Type
Direction of Rotation	Anti-Clockwise / Clockwise
Inlet Pressure Range	0.02 Bar
Fluid Temperature Range	-20°C to 70°C
Fluid	Mineral Oil Based, Fire Resistant Hydraulic Fluid to ISO/DIN Std.
Viscosity Range	15-100 Cst
Filtration Requirement	NAS 1638 – Level 8

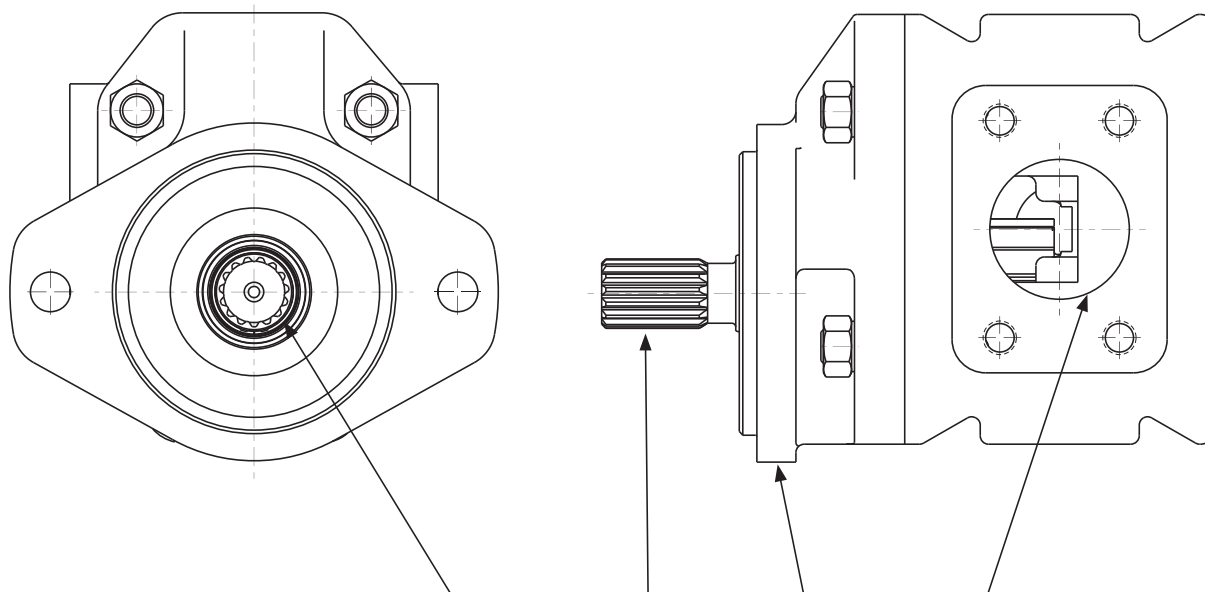
# XT - PUMP SERIES

## PUMP SPECIFICATIONS

PUMP TYPE	DISPLACEMENT in cc/rev	MAXIMUM FLOW in Ltr/Min @1500 rpm	RPM		MAX. CONT PRESSURE (BAR)	MAX. PEAK PRESSURE (BAR)
			Min	Max		
XT30	30	45	650	3000	225	260
XT43	43	64.5	650	3000	225	260
XT50	50	75	650	3000	225	260
XT55	55	82.5	650	3000	225	260
XT65	65	97.5	600	2500	215	245
XT70	70	105	600	2500	215	245
XT85	85	127.5	600	2500	215	245
XT100	100	150	600	2500	215	245

# XT - PUMP SERIES

## PUMP CODIFICATION

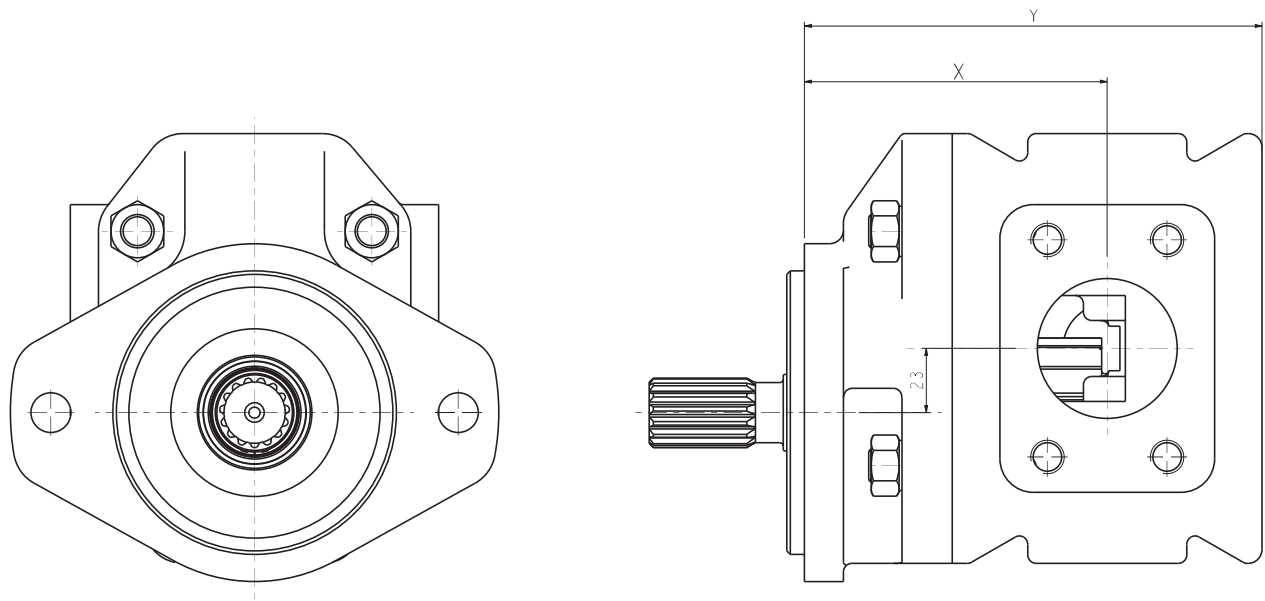


Frame	Flow Size	Rotation	Shaft	Flange	Port Code
XI	-(CC)	---	---	---	---

Flow	Rotation		Shaft Code		Flange Code		Port Code
30	A	Anti-clockwise	P	Parallel Shaft	S	2 Bolts, SAE Mounting Type	Split Flange Port
43							
45	C	Clockwise	S	Spline Shaft	D	4 Bolts, SAE Mounting Type	Straight Threaded Port
50							
55							
65							
70	C	Clockwise	S	Spline Shaft	D	4 Bolts, SAE Mounting Type	Pipe Threaded Port
85							
100							

# XT - PUMP SERIES

## PUMP INSTALLATION DIMENSIONS



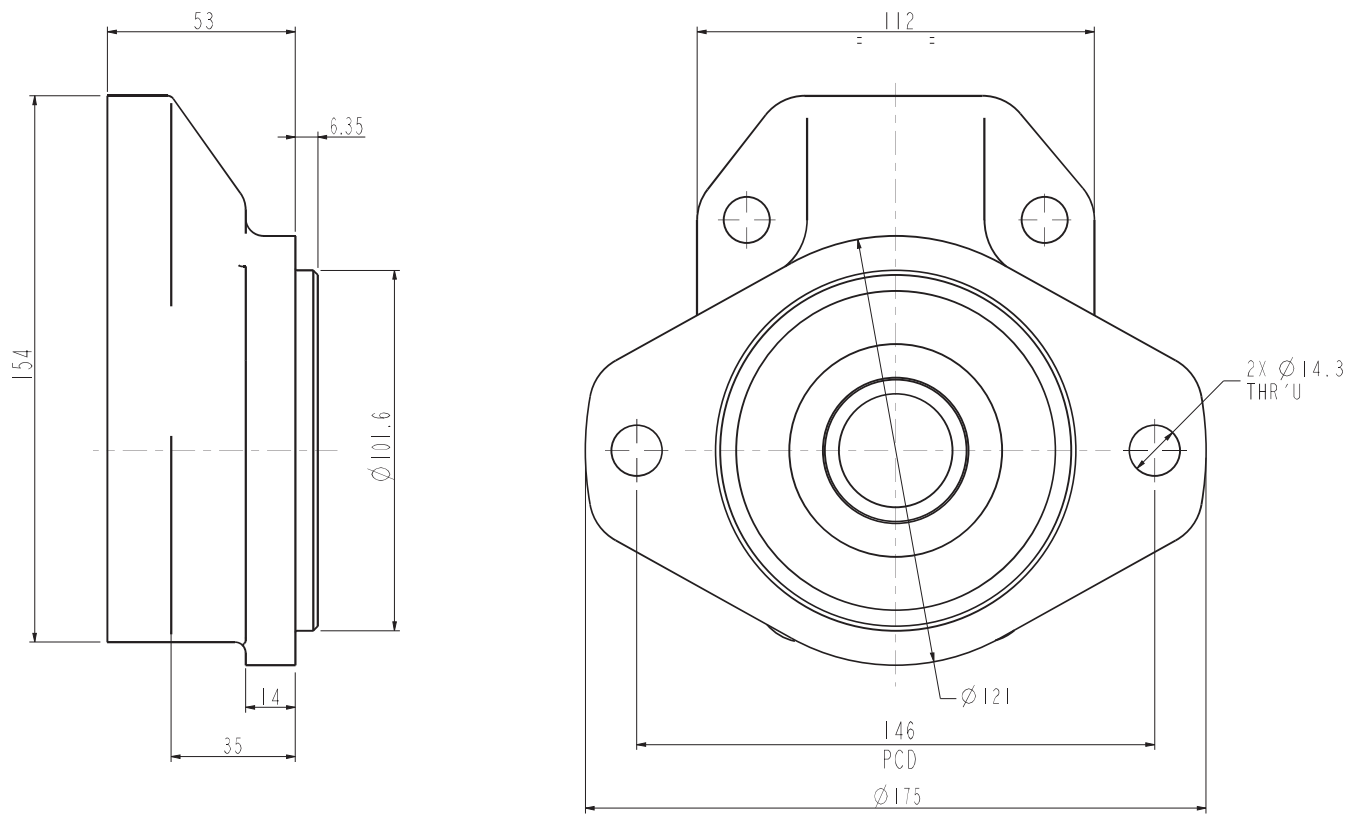
PUMP TYPE	DIMENSIONS	
	X	Y
XT30	68.8	84.9
XT40	72.1	91.2
XT45	73.4	93.8
XT50	74.7	96.4
XT55	76.6	100.2
XT65	80.0	107.0
XT70	81.6	110.3
XT85	86.4	119.8
XT100	91.2	129.3

**NOTE:**

- Unless otherwise specified, the dimension 'X' is identical for both inlet & outlet port positions.

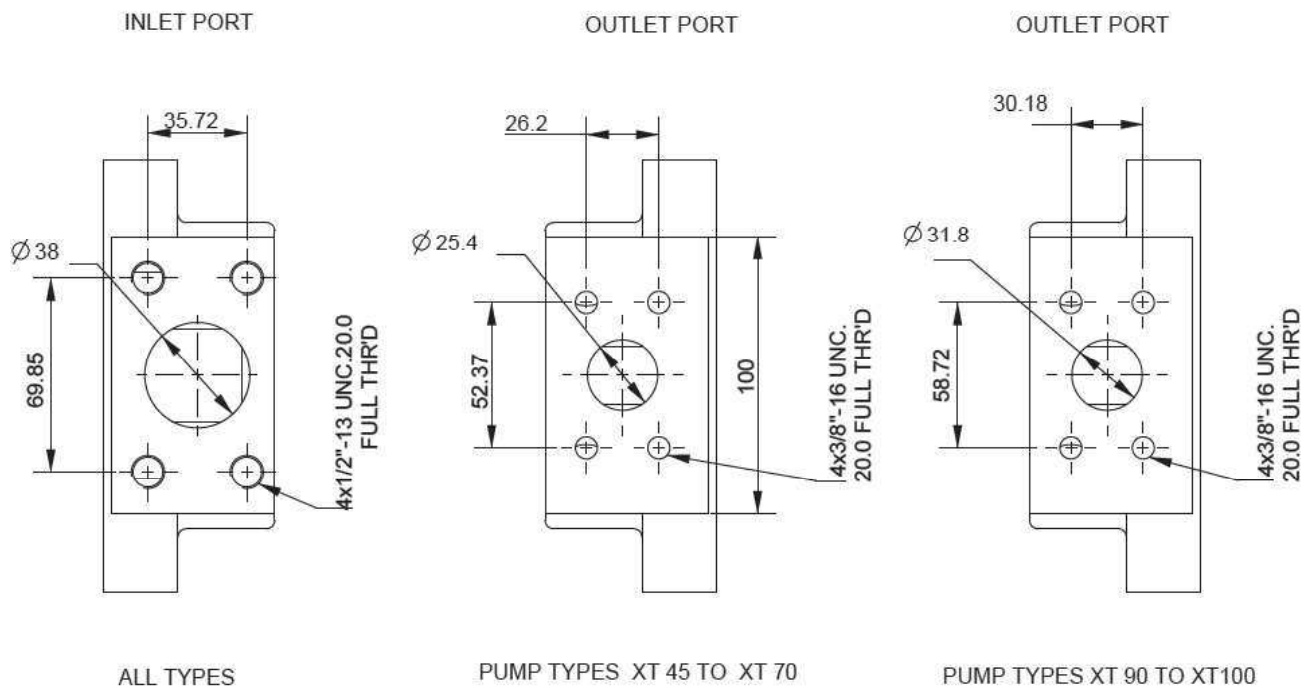
# XT - PUMP SERIES

## FLANGE CONFIGURATION



# XT - PUMP SERIES

## SPLIT FLANGE PORT CODE - S



**NOTE:**

- Inlet & Outlet port details other than mentioned above can be considered based on feasibility.

ALL DIMENSIONS ARE IN mm UNLESS OTHERWISE SPECIFIED