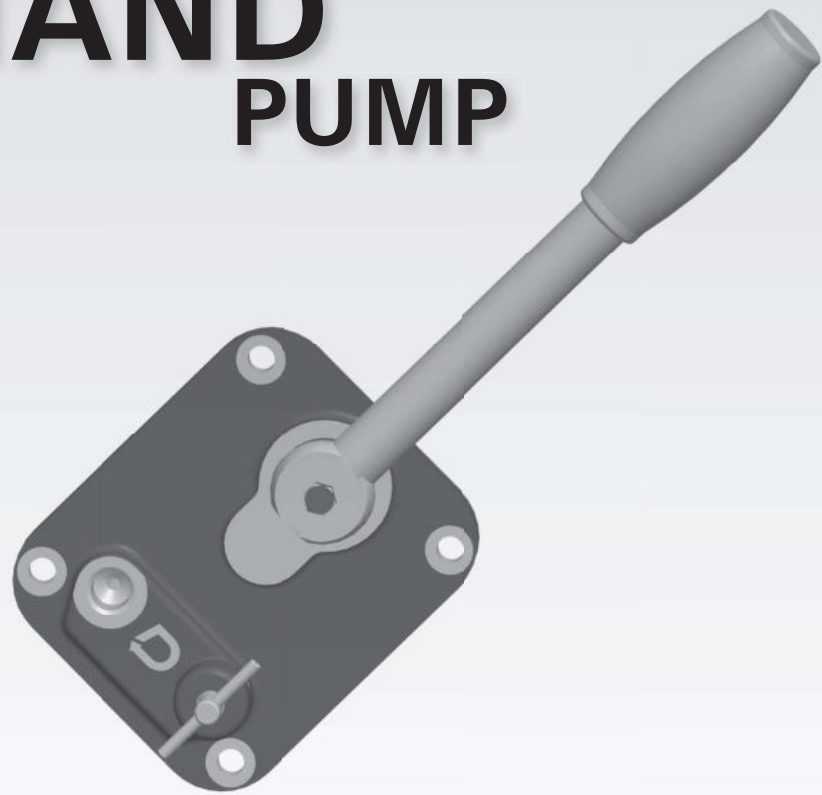


HAND PUMP

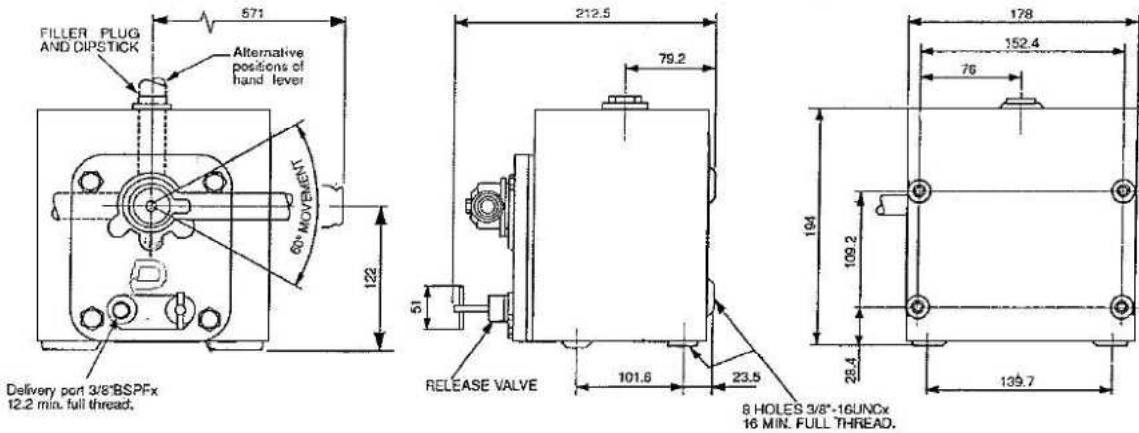


HAND PUMP

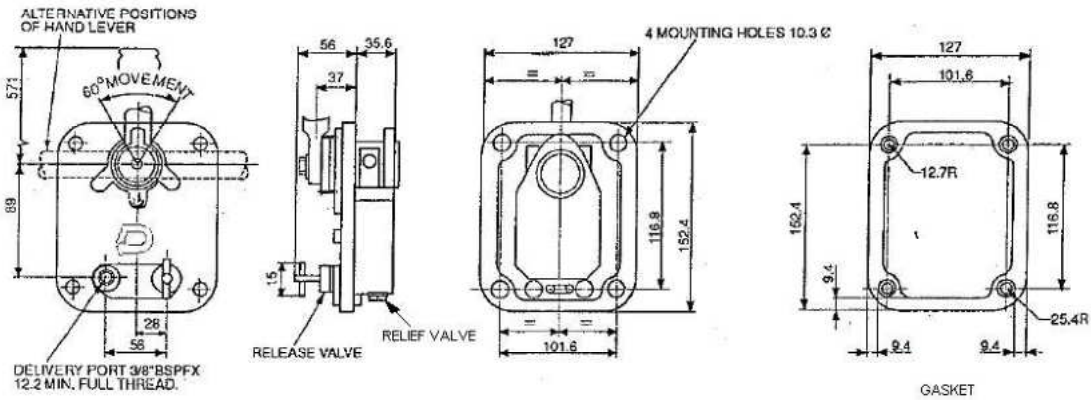
INSTALLATION DIMENSIONS

HAND PUMP WITH RESERVOIR

ALL DIMNS. ARE IN MM. UNLESS SPECIFIED



HAND PUMP WITHOUT RESERVOIR



INSTALLATION NOTE :

UNITS MUST BE INSTALLED IN THE POSITION SHOWN, THAT IS, IN THE VERTICAL POSITION WITH THE HANDLE PIVOT ABOVE THE DELIVERY PORT.

OPERATIONAL DATA.

DELIVERY	0.80 in ³ (1.3 cm ³) PER DOUBLE STROKE
HAND LOAD	MAX. Pressure : 50 lb at 3000 psi 23 Kg at 200 bar
RESERVOIR CAPACITY	6 PINTS (3.4 litres)
WEIGHT APPROX.	14 lb (6.4 kg)
APPLICATION	Suitable for use with most mineral based hydraulic fluids of minimum viscosity 50 ssu