

# Industrial Pressure Transmitter

## Model PT11

### Features

- Compact design
- Rugged stainless steel construction
- High shock and vibration stability
- Reverse polarity and limit protection
- High accuracy, stability, and reliability
- Protection IP67 / IP65

### Ranges

0 ... 1.5 psi up to 0 ... 15,000 psi  
 0 ... 0.1 bar up to 0 ... 1000 bar & kg/cm<sup>2</sup>  
 0 ... 10 kPa up to 0 ... 100,000 kPa

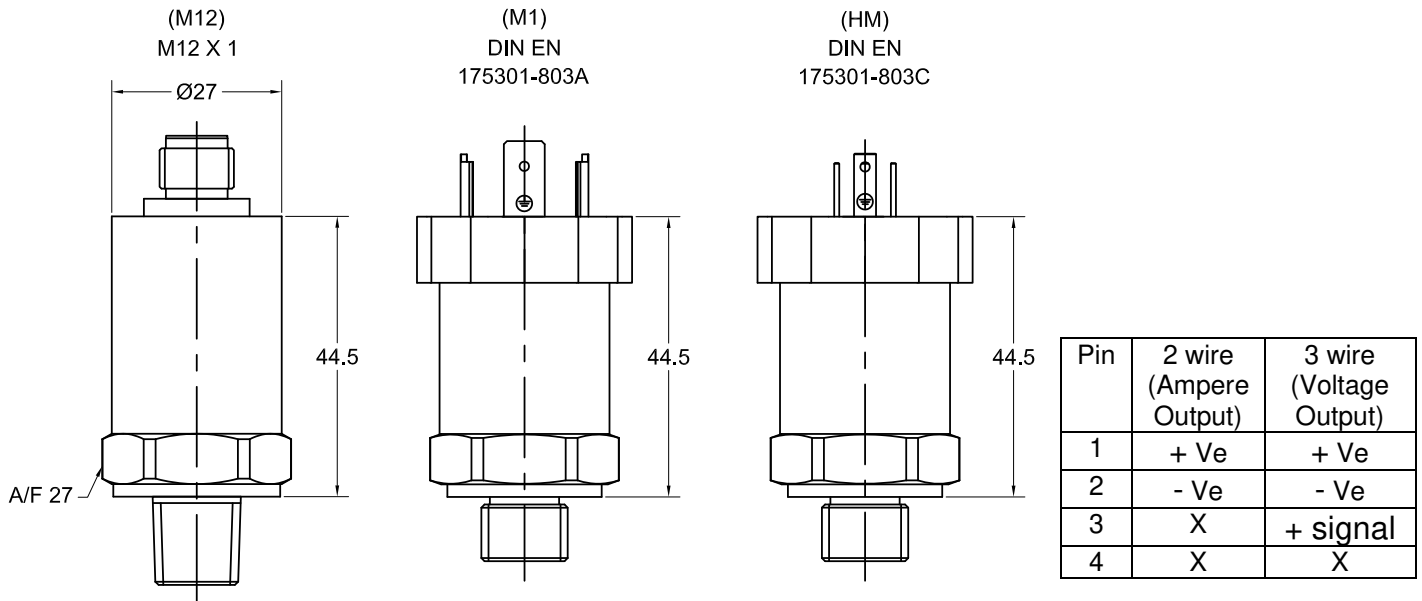
### Applications

Machine and construction apparatus  
 Hydraulic and Pneumatics systems  
 Refrigeration and air conditioning  
 Emissions monitoring  
 Power generation  
 Automation



Technical specifications	PT11					
Measuring principle	Piezo resistive sensors					
Range in mbar	100 160 250 400 600					
Range in bar (kg/cm <sup>2</sup> )	1 1.6 2.5 4 6 10 16 25 40 60 100 160 250 400 600 1000					
Overpressure limit	-1/0 -1/3 -1/5 -1/9 -1/15					
Pressure type	150% of FS, Max 1100 bar					
Process connection	G 1/4 male according DIN 3852 Part 11 Form E, 1/4" NPT (M), 1/2" NPT (M), 1/2" BSP (M) Others on request					
Material Wetted Part	Stainless Steel 316L					
Process connection	Stainless Steel 316L					
Sensor	Stainless Steel 316L					
Housing	Stainless Steel 300 series					
Seals	FKM					
Power supply	11 ... 28 VDC		14 ... 28 VDC		5 VDC ± 10%	
Output signal	4 ... 20 mA (2 wires)	0 ... 5 VDC (3 wires)	1 ... 5 VDC (3 wires)	0 ... 10 VDC (3 wires)	1 ... 9 VDC (3 wires)	0.5 ... 4.5 RM (3 wires)
Maximum Loop Resistance	(U – 12V)/0.02 Ω					
Insulation Voltage	100V, 100MΩ					
Electrical connection	4 PIN angle connector DIN EN 175301-803 A, DIN EN 175301-803 C (IP65) M12 Round Connector (IP67), Direct Cable Connection					
Accuracy	≤ 0,5 % FS, optional ≤ 0,25 % FS (Including Linearity, Hysteresis, Zero offset & Span offset), at Room Temperature					
Long term stability	≤ 0,2 % FS / year					
Permissible						
Operation temperature	-20 ... 80 °C					
Medium temperature	-40 ... 125 °C					
Storage temperature	-25 ... 85 °C					
Stability						
Vibration resistance	10gRMS, (20~2000) Hz					
Shock resistance	100g, 11ms					
Protection acc. EN 60 529/IEC 529	IP67 / IP65, depending on cable entry					
Weight in kg	~ 0.20					

## General dimensions in mm



## Order information

Output signal	Accuracy	Range	Engineering unit	Protection	Process connection	Electrical connection	Options	
(42) 4/20 mA	(050) $\leq 0,50\%$	0/ 100	mbar	(=) IP65	(MG9) G 1/4 A male Form E <sup>3)</sup>	(M1) 4 Pin Angle connector DIN EN 175301-803 A <sup>4)</sup>	(NH) Tagging Wired	
(05) 0/5 VDC	(025) $\leq 0,25\%$	0/ 250		(N) IP67 <sup>2)</sup>				
(15) 1/5 VDC	(Including Linearity, Hysteresis, Zero offset & Span offset)	0/ 400			(04) 1/2" NPT (M)	(HM) 4 Pin Angle connector DIN EN 175301-803 C <sup>4)</sup>		
(10) 0/10 VDC		-1/ 0	bar		(02) 1/4" NPT (M)			
(19) 1/9 VDC		-1/ 3	bara <sup>1)</sup>		(15) 1/2" BSP (M)	(M12) M12 Circular Connector		
(RM) 0.5/4.5 VDC ratiometric to 5 VDC supply		-1/ 5	(absolute)					
		-1/ 9						
		-1/ 15						
		0/ 1						
		0/ 1,6						
		0/ 2,5						
		0/ 4						
	0/ 6							
0/ 10								
0/ 16								
0/ 25								
0/ 40								
0/ 60								
0/ 100								
0/ 160								
0/ 250								
0/ 400								
0/ 600								
0/ 1000								
others on request		others on request	Equivalent ranges in kPa, MPa, psi, kg/cm <sup>2</sup> and others units available		others on request			

1) Available for ranges 1 to 60 bar (15 to 1000 psi) 2) For electric Connection M12 only 3) Maximum range 400 bar 4) IP65 only

## How to order

Type	Output signal	Accuracy	Range	Engineering unit	Protection	Process connection	Electrical connection	Option
PT11	42	025	0/10	BAR	=	MG9	M1	NH

## Precision Mass Products Pvt. Ltd.

Plot No.: 2306, G.I.D.C. Chhatral, Ta: Kalol, Dist.: Gandhinagar, Chhatral -382729, Gujarat, India.

Telephone: +91-2764 233681/82/83

Email: sales@precisionmass.com

Fax: +91-2764-233440

www.precisionmass.com

- North Zone : sales.delhi@precisionmass.com
- East zone : sales.kolkata@precisionmass.com
- West zone : sales.mumbai@precisionmass.com
- South zone : sales.chennai@precisionmass.com