

# Flush Pressure Transmitter

## Model PT14

### Features

- Flush Diaphragm
- High vibration stability
- Rugged stainless steel construction
- Reverse polarity and limit protection
- High accuracy, stability, and reliability
- Protection IP67 / IP65

### Ranges

0 ... 1.5 psi up to 0 ... 3,600 psi  
 0 ... 0.1 bar up to 0 ... 250 bar & kg/cm<sup>2</sup>  
 0 ... 10 kPa up to 0 ... 25,000 kPa

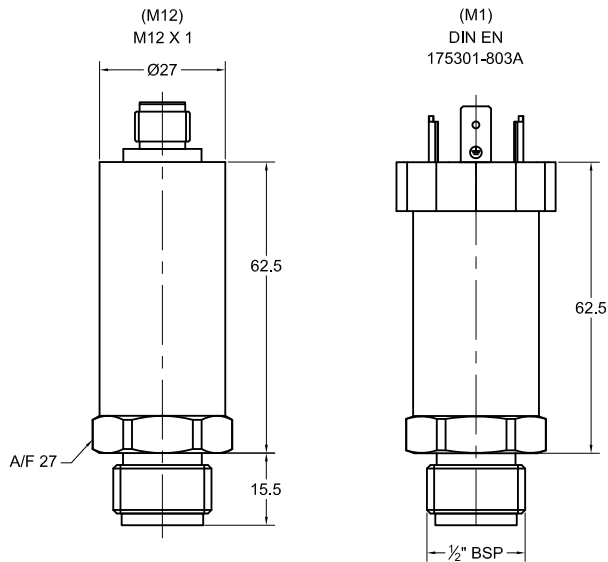
### Applications

Dosing Systems  
 Pharmaceuticals  
 Food Processing  
 Biotechnology and filtration industries  
 Breweries, distilleries



Technical specifications	PT14					
Measuring principle	Piezo resistive sensors					
Range in mbar	100 160 250 400 600					
Range in bar (kg/cm <sup>2</sup> )	1 1.6 2.5 4 6 10 16 25 40 60 100 160 250					
Overpressure limit	-1/0 -1/3 -1/5 -1/9 -1/15					
Pressure type	130% of FS					
Process connection	Gauge, Vacuum, Compound and Absolute					
Material Wetted Part	Flush Diaphragm Type G 1/2 male or G1 male					
Process connection	Stainless Steel 316L					
Sensor	Stainless Steel 316L					
Housing	Stainless Steel 300 series					
Seals	FKM					
Power supply	11 ... 28 VDC		14 ... 28 VDC		5 VDC ± 10%	
Output signal	4 ... 20 mA (2 wires)	0 ... 5 VDC (3 wires)	1 ... 5 VDC (3 wires)	0 ... 10 VDC (3 wires)	1 ... 9 VDC (3 wires)	0.5 ... 4.5 RM (3 wires)
Maximum Loop Resistance	(U – 12V)/0.02 A					
Insulation Voltage	100V, 100MΩ					
Electrical connection	4 PIN angle connector DIN EN 175301-803 A, DIN EN 175301-803 C (IP65) M12 Round Connector (IP67), Direct Cable Connection					
Accuracy	≤ 0,5 % FS, optional ≤ 0,25 % FS (Including Linearity, Hysteresis, Zero offset & Span offset), at Room Temperature					
Long term stability	≤ 0,2 % FS / year					
Permissible						
Operation temperature	-20 ... 80 °C					
Medium temperature	-40 ... 125 °C					
Storage temperature	-25 ... 85 °C					
Stability						
Vibration resistance	10gRMS, (20~2000) Hz					
Shock resistance	100g, 11ms					
Protection acc. EN 60 529/IEC 529	IP67 / IP65, depending on cable entry					
Weight in kg	~ 0.20					

## General dimensions in mm



Pin	2 wire (Ampere Output)	3 wire (Voltage Output)
1	+ Ve	+ Ve
2	- Ve	- Ve
3	X	+ signal
4	X	X

## Order information

Output signal	Accuracy	Range	Engineering unit	Protection	Process connection	Electrical connection	Options
(42) 4/20 mA	(050) $\leq 0,50\%$	0/ 100	mbar	(=) IP65	(15) 1/2" BSP (M)	(M1) 4 Pin Angle connector DIN EN 175301-803 A <sup>3)</sup>	(NH) Tagging Wired
(05) 0/5 VDC	(025) $\leq 0,25\%$	0/ 250		(N) IP67 <sup>2)</sup>	(18) 1" BSP (M)		
(15) 1/5 VDC	(Including Linearity, Hysteresis, Zero offset & Span offset)	0/ 400				(M12) M12 Circular Connector	
(10) 0/10 VDC		-1/ 0	bar				
(19) 1/9 VDC		-1/ 3	bara <sup>1)</sup>				
		-1/ 5	(absolute)				
		-1/ 9					
		-1/ 15					
		0/ 1					
		0/ 1,6					
		0/ 2,5					
		0/ 4					
0/ 6							
0/ 10							
0/ 16							
0/ 25							
0/ 40							
0/ 60							
0/ 100							
0/ 160							
0/ 250							
others on request		others on request	Equivalent ranges in kPa, MPa, psi, kg/cm <sup>2</sup> and others units available		others on request		

1) Available for ranges 1 to 60 bar (15 to 1000 psi) 2) For electric Connection M12 only 3) IP65 only

## How to order

Type	Output signal	Accuracy	Range	Engineering unit	Protection	Process connection	Electrical connection	Option
PT14	42	025	0/10	BAR	=	15	M1	NH

## Precision Mass Products Pvt. Ltd.

Plot No.: 2306, G.I.D.C. Chhatral, Ta: Kalol, Dist.: Gandhinagar,  
Chhatral -382729, Gujarat, India.  
Telephone: +91-2764 233681/82/83 Fax: +91-2764-233440  
Email: sales@precisionmass.com www.precisionmass.com

- North Zone : sales.delhi@precisionmass.com
- East zone : sales.kolkata@precisionmass.com
- West zone : sales.mumbai@precisionmass.com
- South zone : sales.chennai@precisionmass.com