

Industrial Pressure Transmitter

Model PT21

Features

- Compact design
- Rugged stainless steel construction
- High shock and vibration stability
- Accuracy 0.5% BFSL
- Reverse polarity protection
- Current and Voltage Outputs
- Protection IP67 / IP 65

Ranges

0 ... 15 psi up to 0 ... 6,000 psi
 0 ... 1 bar up to 0 ... 400 bar & kg/cm²
 0 ... 100 kPa up to 0 ... 40,000 kPa

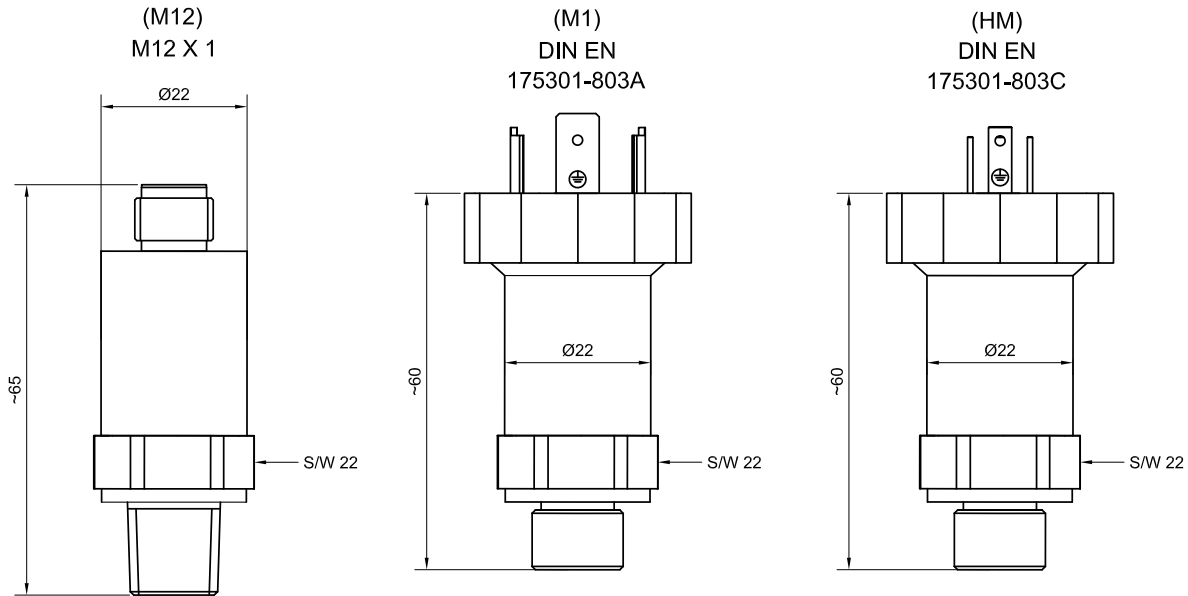
Applications

Machine and construction apparatus
 Hydraulic and Pneumatic systems
 Refrigeration and air conditioning
 OEM applications
 Automation



Technical specifications	PT21					
Measuring principle	Ceramic sensor					
Range in bar (kg/cm ²)	1 1.6 2.5 4 6 10 16 25 40 60 100 160 250 400 -1/0 -1/3 -1/5 -1/9 -1/15					
Overpressure limit	Max. 150 % F.S. Subjected to Max. 600 bar overpressure, high over limit on request					
Pressure type	Gauge, Vacuum and Compound					
Process connection	G 1/4 male according DIN 3852 Part 11 Form E, 1/4" NPT (M), 1/2" NPT (M), 1/2" BSP (M) Others on request					
Material Wetted Part	Stainless Steel 300 series					
Process connection	Stainless Steel 300 series					
Sensor	Ceramic (Al ₂ O ₃)					
Housing	Stainless Steel 300 series					
Seals	NBR					
Power supply	11 ... 28 VDC		14 ... 28 VDC		5 VDC ± 10%	
Output signal	4 ... 20 mA (2 wires)	0 ... 5 VDC (3 wires)	1 ... 5 VDC (3 wires)	0 ... 10 VDC (3 wires)	1 ... 9 VDC (3 wires)	0.5 ... 4.5 RM (3 wires)
Maximum Loop Resistance	(U – 12V)/0.02 Ω					
Insulation Voltage	100MΩ @ 100 VDC					
Electrical connection	4 PIN angle connector DIN EN 175301-803 A, DIN EN 175301-803 C (IP65) M12 Round Connector , Direct Cable Connection					
Accuracy	≤ 0,5 % BFSL					
Long term stability	≤ 0,5 % FS / year					
Permissible						
Ambient temperature	-10 ... 80 °C					
Medium temperature	-25 ... 110 °C					
Storage temperature	-25 ... 85 °C					
Stability						
Vibration resistance	10gRMS, (20~2000) Hz					
Shock resistance	100g, 11ms					
Protection acc. EN 60 529/IEC 529	IP67 / IP65, depending on cable entry					
Weight in kg	~ 0.20					

General dimensions in mm



Pin	2 wire (Ampere Output)	3 wire (Voltage Output)
1	+ Ve	+ Ve
2	- Ve	- Ve
3	X	+ signal
4	X	X

Order information

Output signal	Accuracy	Range	Engineering unit	Protection	Process connection	Electrical connection	Options
(42) 4/20 mA	(B50) ≤ 0,50 % (BFSL)	-1/ 0	bar	(=) IP65 (N) IP67 ¹⁾	(MG9) G ¼ A male Form E	(M1) 4 Pin Angle connector DIN EN 175301-803 A	(NH) Tagging Wired
(05) 0/5 VDC		-1/ 3					
(15) 1/5 VDC		-1/ 5					
(10) 0/10 VDC		-1/ 9			(04) 1/2" NPT (M)	(HM) 4 Pin Angle connector DIN EN 175301-803 C	
(19) 1/9 VDC		0/ 1			(02) 1/4" NPT (M)	(M12) M12 Circular Connector	
		0/ 1,6			(15) 1/2" BSP (M)		
		0/ 2,5					
		0/ 4					
		0/ 6					
		0/ 10					
		0/ 16					
		0/ 25					
		0/ 40					
		0/ 60					
		0/ 100					
		0/ 160					
		0/ 250					
		0/ 400					
others on request		others on request	Equivalent ranges in kPa, MPa, psi, kg/cm ² and others units available		others on request		

1) For electric Connection M12 only

How to order

Type	Output signal	Accuracy	Range	Engineering unit	Protection	Process connection	Electrical connection	Option
PT21	42	B50	0/10	BAR	=	MG9	M1	NH

Precision Mass Products Pvt. Ltd.

Plot No.: 2306, G.I.D.C. Chhatral, Ta: Kalol, Dist.: Gandhinagar,
Chhatral -382729, Gujarat, India.

Telephone: +91-2764 233681/82/83

Email: sales@precisionmass.com

Fax: +91-2764-233440

www.precisionmass.com

- North Zone : sales.delhi@precisionmass.com
- East zone : sales.kolkata@precisionmass.com
- West zone : sales.mumbai@precisionmass.com
- South zone : sales.chennai@precisionmass.com